

100MM

115V 60Hz, Single Phase,
200 Series Gearmotor

The Powerful Little "Motor in the Middle":

For tight-spaces requiring big power, Bison's new 100mmAC (4" dia.), 1/8 HP (93 w) motors offer larger motor power in 30% less volume. (9) In-Stock, Instant-Ship (ISIS) single-phase, parallel shaft models up to 350 in-lbs (39.5 N-m)

ISIS 
In Stock Instant Ship

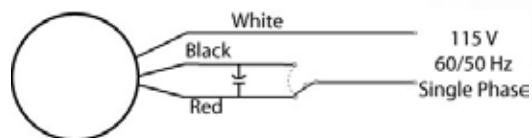


100mmAC

39 Frame, 115V 60 Hz, Single Phase, 200 Series Gearmotor

Part Number	Speed (RPM)	Torque (In-Lb)	Torque (N-m)	Input Hp	Amps	Gear Ratio	# Stages
016-246-6316	8	310	35.0	1/8	1.10	215.6	3
016-246-6302	17	350	39.5	1/8	1.40	102.4	3
016-246-6382	20	300	33.9	1/8	1.40	81.8	3
016-246-6358	29	218	24.7	1/8	1.45	58.3	3
016-246-6329	59	115	13.0	1/8	1.45	28.8	2
016-246-6319	89	74	8.4	1/8	1.45	19.1	2
016-246-6315	113	58	6.5	1/8	1.45	15.0	2
016-246-6311	160	39	4.4	1/8	1.45	10.6	2
016-246-6305	340	16	1.8	1/8	1.45	5.0	2

Wiring Diagram



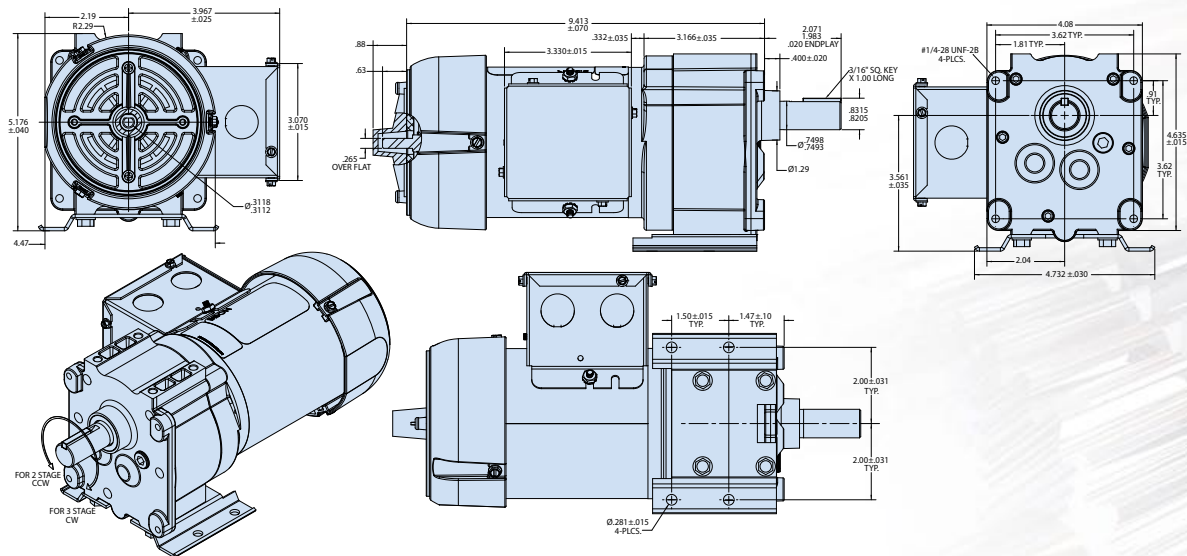
To Reverse direction interchange red and black leads.

BISON
Gear & Engineering Corp.

Ph: 800-AT-BISON • Int'l. Ph: 1-630-377-4327
Email: info@bisongear.com • www.bisongear.com

100MM

115V 60Hz, Single Phase,
200 Series Gearmotor



BISON
Gear & Engineering Corp.

Ph: 800-AT-BISON • Int'l. Ph: 1-630-377-4327
Email: info@bisongear.com • www.bisongear.com