

SANIMotor™

IP69K Rated Stainless Steel Gearmotors

Bison Gear's innovative new **SANIMotor™** line of stainless steel gearmotors were designed to meet the IP69K extreme washdown rating established by the European IEC for equipment exposed to temperature extremes, constantly wet environments, and the use of harsh cleaning agents.

To ensure long, trouble free life, all electrical components are encapsulated in thermally conductive epoxy resin, allowing use in up to 40°C (104°F) ambient temperatures. The encapsulation optimizes heat conductivity within the motor, allowing TENV construction. The encapsulated assembly is enclosed within a 304 stainless steel tube and investment castings front and back. Output shaft sealing is done with a two part rotor-stator style seal, providing three sealing surfaces. Electrical termination is done with a stainless steel, modular, multi-pin power connector that is IP69K rated.

The three-phase 230 volt inverter duty **SANIMotor™** gearmotors employ Bison's *Verdant Duty™* design for increased energy efficiency and are available in two frame sizes (88.4 and 127 mm dia.). Each frame size is mated to 7 standard gearing packages offering fixed output speeds from 345 RPM to 8 RPM and rated torques ranging from 7 to 500 in-lb (0.8 to 56.5 N-m).

SANIMotor™ is ideally suited for food, chemical, and pharmaceutical processing applications as well as foodservice equipment, packaging machinery, factory automation, conveying, car wash, and a wide variety of demanding applications where gearmotors are exposed to harsh environments and/or frequent washdowns.

The 14 new **SANIMotor™** stainless steel washdown duty gearmotors are part of Bison Gear's comprehensive **In-Stock, Instant-Ship (ISIS)** program that supports Bison's distribution partners and offers same day shipment for orders received before noon (Central Time).



SANIMotor™

For Use in Harsh Environments &
High Pressure, High Temperature
Washdown Applications



SANIMotor™

IP69K Rated Stainless Steel Gearmotors

Key Features

- Gearmotor encased in 304 stainless steel
- Special two-part stainless steel output shaft seal system employs robust EPDM polymer material
- Supplied with IP69K PVC power cord with stainless steel multi-pin connector
- Laser marked permanent nameplate meets extreme washdown rating
- Output shaft, supported by sealed ball bearings, is made from 304 stainless steel
- Food-grade H1 grease lubricated for maintenance free lifetime lubrication
- Class F insulation system evaluated to UL 1449 described in E199928
- Construction features meet UL 1004 and C22.2 #100 described in E89715
- Class B temperature rise at 40°C rated ambient temperature allows for use in elevated ambient conditions
- Made in USA



34 Frame, 230V, VFD, 1/20 Hp, Three Phase Inverter Duty

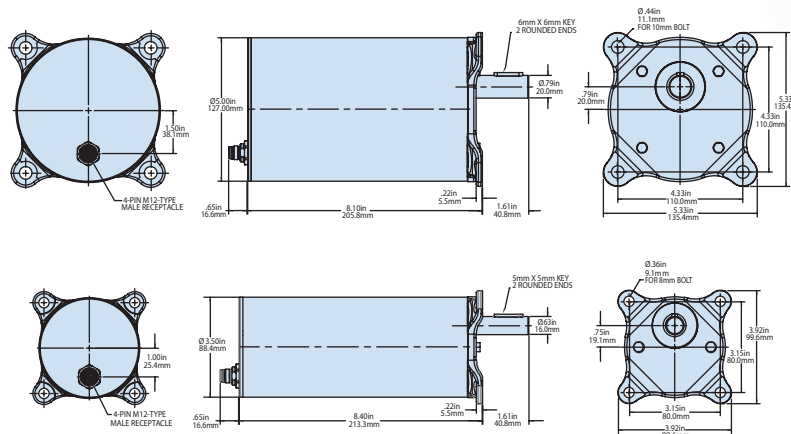
Part Number	Speed @ 60 Hz (RPM)	Torque @ 60 Hz (In-Lb)	Torque @ 60 Hz (N-m)	Input Hp	Input Watts	Gear Ratio
017-160-0271	7	160**	18.1	1/20	37	271.3
017-160-0139	14	160**	18.1	1/20	37	139.1
017-160-0072	23	96	10.8	1/20	37	71.7
017-160-0037	46	50	5.6	1/20	37	36.7
017-160-0019	89	27	3.1	1/20	37	18.9
017-160-0010	173	14	1.6	1/20	37	9.7
017-160-0005	335	7	0.8	1/20	37	5.0

** Output torque is gear limited

49 Frame, 230V, VFD, 1/8 Hp, Three Phase, Inverter Duty

Part Number	Speed @ 60 Hz (RPM)	Torque @ 60 Hz (In-Lb)	Torque @ 60 Hz (N-m)	Input Hp	Input Watts	Gear Ratio
017-260-0221	8	500**	56.5	1/8	93	221.0
017-260-0140	12	500**	56.5	1/8	93	140.0
017-260-0072	24	256	28.9	1/8	93	71.5
017-260-0037	47	128	14.5	1/8	93	36.5
017-260-0019	91	70	7.9	1/8	93	18.8
017-260-0010	173	34	3.8	1/8	93	9.7
017-260-0005	345	16	1.8	1/8	93	5.0

Schematics



BISON
Gear & Engineering Corp.

Ph: 800-AT-BISON • Int'l. Ph: 1-630-377-4327
Email: info@bisongear.com • www.bisongear.com

©2011 BISON Gear & Engineering Corp., All Rights Reserved
0014010611