



100 Series Parallel Shaft DC

UP TO 100 IN-LBS CONTINUOUS

The 100 Series offers a wide speed range and many voltage options in an ultra-compact package.

Specifications

Gearhead		Motor	Optional Features
Gearing:	1st-stage helical steel All other stages heat treated powdered metal spur gearing	Motor Type: Permanent magnet Rotation: Reversible Bearings: Ball Insulation: Class F Finish: Gloss black powder coat Enclosure: TENV	<ul style="list-style-type: none"> J-Boxes: P198-100-9111 2.58" dia. Shaft-mount encoder Accessory shaft Footplate P125-100-9998
Housing:	Precision machined die cast aluminum		
Lubrication:	Lifetime oil bath, sealed and gasketed		
Bearings:	Needle output		
Shafts:	Hardened steel		
Mounting:	Face (any angle) or optional footplate		
Finish:	Gloss black powder coat		

Additional Information

Current drawings and stock status available at www.bisongear.com

Wiring diagram pages 88-91

See pages 86-87 for additional accessories

ISIS - Products available off-shelf

SNS - Min. order quantity and lead time

100 Series PMDC

Part Number	Speed 12V RPM	Torque (in-lbs)	Input HP	Gear Ratio	Stages	OHL*	Amps	Shipping Wt.	Brush
12V PMDC									
011-190-5096	19	100**	1/20	95.5	3	150	3.85	8	C
011-190-5049	36	74	1/20	49.0	3	130	4.73	8	C
011-190-5025	69	40	1/20	25.2	2	230	4.73	8	C
011-190-5013	136	20	1/20	12.9	2	220	4.73	8	C
011-190-5007	261	11	1/20	6.7	1	200	4.73	8	C

Part Number	Speed 24V RPM	Torque (in-lbs)	Input HP	Gear Ratio	Stages	OHL*	Amps	Shipping Wt.	Brush
24V PMDC									
011-190-4096	20	100**	1/20	95.5	3	150	2.4	8	C
011-190-4049	37	74	1/20	49.0	3	130	2.4	8	C
011-190-4025	71	40	1/20	25.2	2	230	2.4	8	C
011-190-4013	139	20	1/20	12.9	2	220	2.4	8	C
011-190-4007	269	11	1/20	6.7	1	200	2.4	8	C

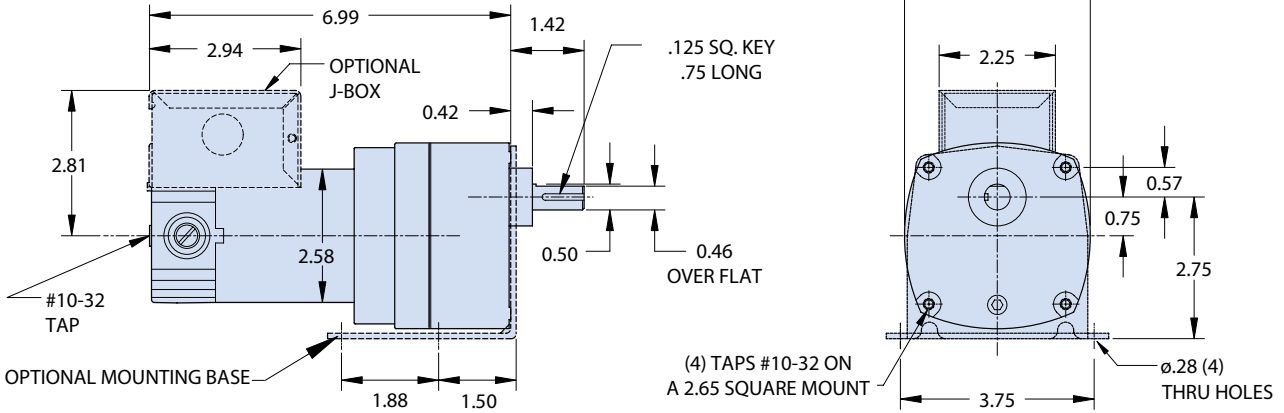
Part Number	Speed 90V RPM	Speed 130V RPM***	Torque (in-lbs)	Input HP	Gear Ratio	Stages	OHL*	Amps	Shipping Wt.	Brush
90V or 130V PMDC										
011-190-1369	1.3	1.9	100**	1/40	1369.3	5	115	0.13	6.25	B
011-190-0702	2.6	3.8	100**	1/40	702.1	5	115	0.15	6.25	B
011-190-0362	4.5	6.5	100**	1/40	361.7	4	115	0.19	6.25	B
011-190-0271	6.6	10	100**	1/40	271.3	4	115	0.23	6.25	B
011-190-0186	10	14	100**	1/40	185.5	4	85	0.28	6.25	B
011-190-0139	13	19	100**	1/40	139.1	4	85	0.35	6.25	B
011-190-0096	20	29	100**	1/20	95.5	3	150	0.47	6.25	B
011-190-0072	25	36	100**	1/20	71.7	3	150	0.58	6.25	B
011-190-0049	37	53	74	1/20	49.0	3	130	0.62	6.25	B
011-190-0037	49	71	55	1/20	36.7	3	160	0.62	6.25	B
011-190-0025	71	103	40	1/20	25.2	2	230	0.62	6.25	B
011-190-0019	95	137	30	1/20	18.9	2	225	0.62	6.25	B
011-190-0013	139	201	20	1/20	12.9	2	220	0.62	6.25	B
011-190-0010	185	267	15	1/20	9.7	2	218	0.62	6.25	B
011-190-0007	269	389	11	1/20	6.7	1	200	0.62	6.25	B
011-190-0005	359	519	8	1/20	5.0	1	200	0.62	6.25	B

* Maximum overhung load on center of output shaft. ** Output torque is gear limited. *** Units rated for 90V 1.37 form factor drive may be run with 1.05 form factor drive, at 130V

100 Series Parallel Shaft DC

DC PARALLEL
SHAFT
GEARMOTORS

100 DC 12V & 24V



100 DC 90V & 130V

HP	Stages	A
1/20	1, 2, 3	7.38
1/40	4, 5	7.33

