

# 200 Series Parallel Shaft AC

UP TO 385 IN-LBS CONTINUOUS



For up to 385 in-lbs, our 200 Series is unmatched in voltage and speed options.

## Specifications

Gearhead		Motor	Features
Gearing:	Hardened steel, AGMA Class 9. 1st-stage helical metal, balance spur metal	Motor Type: Permanent split capacitor, split phase and 3-phase	<ul style="list-style-type: none"> <li>Included junction box</li> <li>Mounted capacitor on PSC units, mounted external on 1/4" HP, inside J-Box on 1/6" HP</li> <li>Rear shaft extension (1-Phase units only)</li> </ul>
Housing:	Precision machined die cast aluminum	Rotation: Reversible	
Lubrication:	Lifetime oil bath, sealed and gasketed	Bearings: Ball	<b>Optional Features</b> <ul style="list-style-type: none"> <li>Power-off brake (1-Phase units only)</li> </ul>
Bearings:	Needle with thrust ball	Insulation: Class B minimum	
Shafts:	Hardened steel	Enclosure: TEFC	
Mounting:	Face (any angle) or baseplate	Finish: Gloss black powder coat/ 3 phase unpainted	

AC PARALLEL SHAFT GEARMOTORS

## Additional Information

Current drawings and stock status available at <a href="http://www.bisongear.com">www.bisongear.com</a>	Wiring diagram pages 88-91	See pages 86-87 for additional accessories
<b>ISIS</b> - Products available off-shelf		
<b>SNS</b> - Min. order quantity and lead time		

## 200 Series PSC 115V/230V (For drawings see page 38)

Part Number	Speed (RPM)***	Torque (in-lbs)	Input HP	Gear Ratio	Stages	OHL*	Amps	Hz	Shipping Wt.
016-200-8100	15	202	1/15	107.6	3	175	1.2/63	60/50	11.75
016-200-8050	31	135	1/15	52.8	2	175	1.2/63	60/50	11.75
016-200-8035	46	92	1/15	35.4	2	175	1.2/63	60/50	11.75
016-200-8023	69	61	1/15	23.4	2	175	1.2/63	60/50	11.75
016-200-8017	98	43	1/15	16.5	2	175	1.2/63	60/50	11.75
016-200-8012	141	30	1/15	11.5	2	175	1.2/63	60/50	11.75

## 242 Series Split Phase 115V (For drawings see page 39)

Part Number	Speed (RPM)***	Torque (in-lbs)	Input HP	Gear Ratio	Stages	OHL*	Amps	Hz	Shipping Wt.
014-242-9015	115	84	1/6	15	2	175	3.8	60	12
014-242-9019	90	107	1/6	19	2	175	3.8	60	12
014-242-9028	61	158	1/6	28	2	175	3.8	60	12
014-242-9036	48	193	1/6	36	3	175	3.8	60	12
014-242-9058	31	278**	1/6	58	3	175	3.8	60	12
014-242-9133	13	277**	1/6	133	3	175	3.8	60	12

## 246 Series PSC 115V/230V (For drawings see page 39)

Part Number	Speed (RPM)***	Torque (in-lbs)	Input HP	Gear Ratio	Stages	OHL*	Amps	Hz	Shipping Wt.
016-246-6216	7.7	310**	1/6	215.6	3	412	2.1/1.1	60/50	16
016-246-6102	16	350**	1/6	102.4	3	373	2.1/1.1	60/50	16
016-246-6082	20	300**	1/6	81.8	3	327	2.1/1.1	60/50	16
016-246-6058	28	300**	1/6	58.2	3	273	2.1/1.1	60/50	16
016-246-4036	47	294	1/4	35.8	3	215	2.35/1.25	60/50	17.5
016-246-4029	58	227	1/4	28.8	2	236	2.35/1.25	60/50	17.5
016-246-4019	88	163	1/4	19.1	2	200	2.35/1.25	60/50	17.5
016-246-4015	113	128	1/4	15.0	2	195	2.35/1.25	60/50	17.5
016-246-4011	159	91	1/4	10.6	2	206	2.35/1.25	60/50	17.5
016-246-4005	338	41	1/4	5.0	2	170	2.35/1.25	60/50	17.5

\* Maximum overhung load on center of output shaft. \*\* Output torque is gear limited.  
 \*\*\* All speed given are at 60 HZ. For 50 HZ operation, speed will be 5/6 of given speed on PSC units.

For 246 Series see next page



## 200 Series Parallel Shaft AC (continued)

UP TO 385 IN-LBS CONTINUOUS

For up to 385 in-lbs, our 200 Series is unmatched in voltage and speed options.

### Specifications

Gearhead		Motor	Features
Gearing:	Hardened steel, AGMA Class 9. 1st-stage helical metal, balance spur metal	Motor Type: Permanent split capacitor and 3-phase	<ul style="list-style-type: none"> <li>Included junction box</li> <li>Mounted capacitor on PSC units, mounted external on 1/4" HP, inside J-Box on 1/6" HP</li> </ul>
Housing:	Precision machined die cast aluminum	Rotation: Reversible	<ul style="list-style-type: none"> <li>Rear shaft extension (1-Phase units only)</li> <li>Relay included on split phase</li> </ul>
Lubrication:	Lifetime oil bath, sealed and gasketed	Bearings: Ball	
Bearings:	Needle with thrust ball	Insulation: Class B minimum	<b>Optional Features</b> <ul style="list-style-type: none"> <li>Power-off brake (1-Phase units only)</li> </ul>
Shafts:	Hardened steel	Enclosure: TEFC	
Mounting:	Face (any angle) or baseplate	Finish: Gloss black powder coat/ 3 phase unpainted	

### Additional Information

Current drawings and stock status available at <a href="http://www.bisongear.com">www.bisongear.com</a>	Wiring diagram pages 88-91	See pages 86-87 for additional accessories
ISIS - Products available off-shelf		
SNS - Min. order quantity and lead time		

### 246 Series 3-Phase 230/460V

Part Number	Speed (RPM)**	Torque (in-lbs)	Input HP	Gear Ratio	Stages	OHL*	Amps	Hz	Shipping Wt.
017-246-0102	16	385**	1/4	102.4	3	373	1.10/.75	60/50	18
017-246-0058	29	278**	1/4	58.3	3	273	1.10/.75	60/50	18
017-246-0036	47	294**	1/4	35.8	3	215	1.10/.75	60/50	18
017-246-0029	60	159**	1/4	28.1	2	236	1.10/.75	60/50	18
017-246-0023	74	184**	1/4	22.7	2	225	1.10/.75	60/50	18
017-246-0019	88	165	1/4	19.1	2	200	1.10/.75	60/50	18
017-246-0015	112	129	1/4	15.0	2	195	1.10/.75	60/50	18
017-246-0011	159	91	1/4	10.6	2	206	1.10/.75	60/50	18
017-246-0005	336	41	1/4	5.0	2	170	1.10/.75	60/50	18

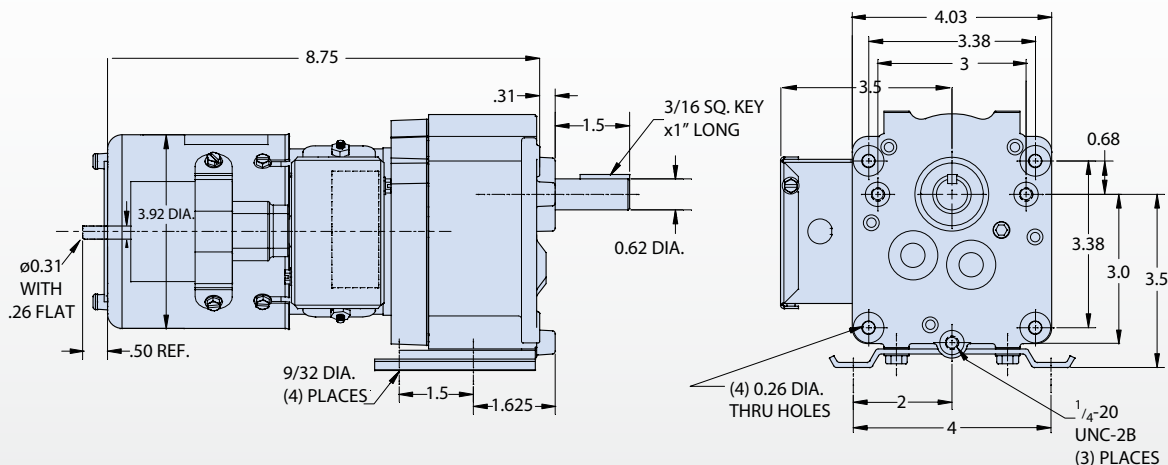
\* Maximum overhung load on center of output shaft. \*\* Output torque is gear limited.

\*\*\* All speed given are at 60 HZ. For 50 HZ operation, speed will be 5/6 of given speed.

### 247 Series 3-Phase Inverter Duty 230V

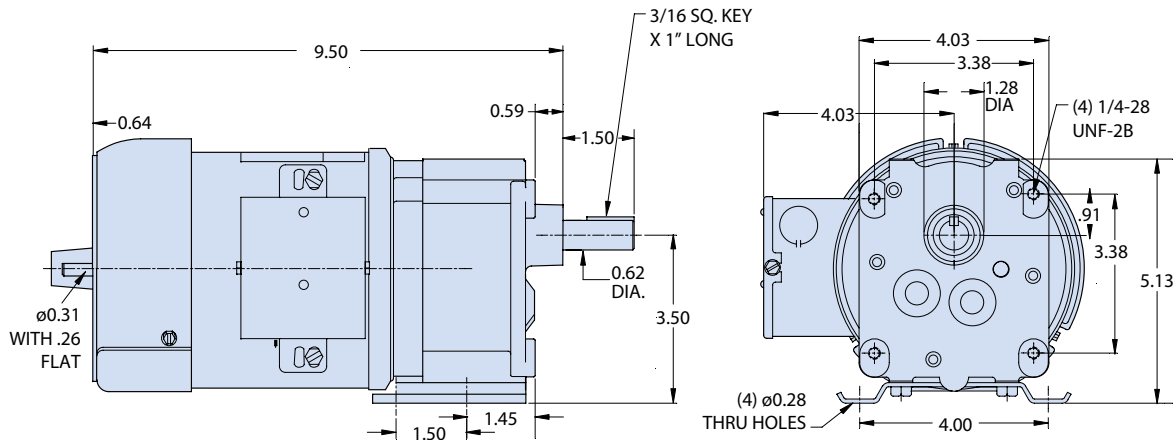
For more specifications see page 62

### 200 PSC 115/230V



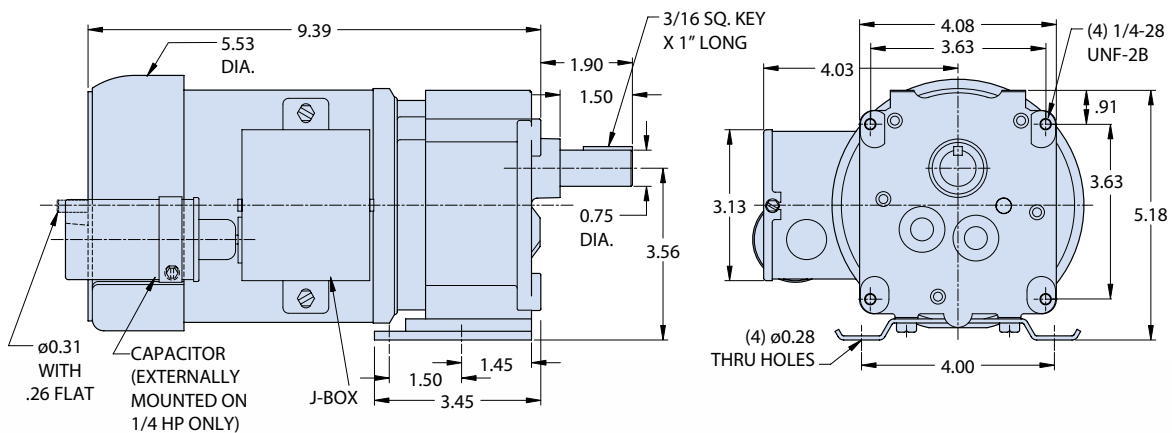
# 200 Series Parallel Shaft AC

## 242 PSC 115V



AC PARALLEL  
SHAFT  
GEARMOTORS

## 246 PSC 115V/230V



## 246 3-Phase 230V/460V

