



SANIMotor™

IP69K RATED INVERTER DUTY STAINLESS STEEL GEARMOTORS

For use in harsh environments and high pressure, high temperature washdown environments.

** Output torque is gear limited.

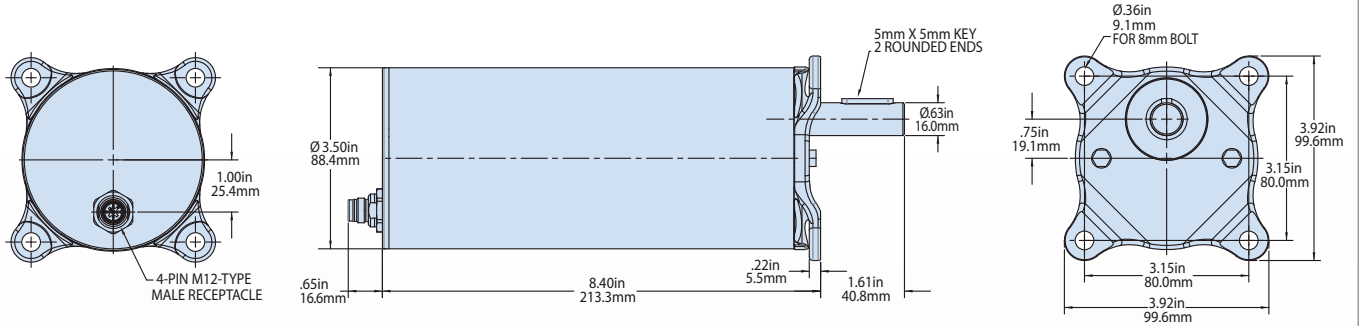
34 Frame 230V VFD 3-Phase Inverter Duty

Part Number	Rated Speed (RPM)			Rated Torque (in-lbs)			Input HP	Gear Ratio	Stages	Amps			Shipping Wt.
	6hz	60hz	90hz	6hz	60hz	90hz				6hz	60hz	90hz	
017-160-0005	33.5	335	500	7	7	5	1/20	5	1	.27	.24	.19	10.5
017-160-0010	17.3	173	258	14	14	9	1/20	10	2	.27	.24	.19	10.5
017-160-0019	8.9	89	132	27	27	17	1/20	19	2	.27	.24	.19	10.5
017-160-0037	4.6	46	68	50	50	33	1/20	37	3	.27	.24	.19	10.5
017-160-0072	2.3	23	35	96	96	63	1/20	72	3	.27	.24	.19	10.5
017-160-0139	1.2	14	18	160**	160**	106**	1/20	139	4	.27	.24	.19	10.5
017-160-0271	0.6	7	10	160**	160**	160**	1/20	271	4	.24	.21	.17	10.5

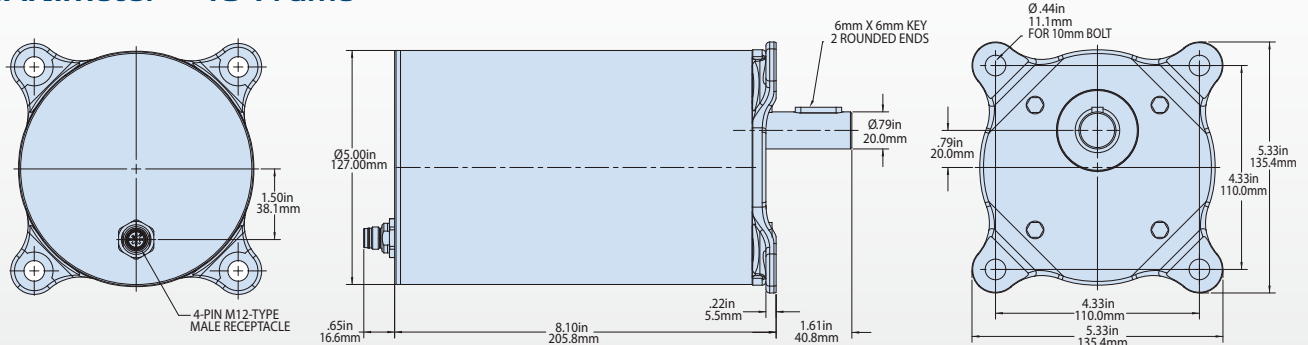
49 Frame 230V VFD 3-Phase Inverter Duty

Part Number	Rated Speed (RPM)			Rated Torque (in-lbs)			Input HP	Gear Ratio	Stages	Amps			Shipping Wt.
	6hz	60hz	90hz	6hz	60hz	90hz				6hz	60hz	90hz	
017-260-0005	34.5	345	518	16	16	11	1/8	5	2	.55	.50	.44	19.5
017-260-0010	17.3	173	260	34	34	23	1/8	10	2	.55	.50	.44	19.5
017-260-0019	9.1	91	137	70	70	46	1/8	19	2	.55	.50	.44	19.5
017-260-0037	4.7	47	71	128	128	85	1/8	37	2	.55	.50	.44	19.5
017-260-0072	2.4	24	36	256	256	170	1/8	72	3	.55	.50	.44	19.5
017-260-0140	1.2	12	19	500**	500**	320**	1/8	140	3	.60	.50	.44	19.5
017-260-0221	0.8	8	12	500**	500**	500**	1/8	221	3	.60	.44	.40	19.5

SANIMotor™ 34 Frame



SANIMotor™ 49 Frame



Product Features & Benefits

Motor Encapsulation

- Stator is encapsulated with a thermally conductive 2-part epoxy. Heat dissipates better than a motor without encapsulation, allowing use of TENV construction.
- Gearmotor is suited for use with variable frequency drives in constant torque configuration from 6-60 Hz and constant horsepower configuration from 60-90 Hz. Inverter Duty wire is standard.

UL Recognized Component

- Construction features meet UL 1004 and C22.2 #100 described in E89715.
- Class Ft insulation system evaluated to UL 1449 described in E199928.
- Class B temperature rise at 40°C rated ambient temperature allows for use in elevated ambient conditions

Gearmotor Encased in 304 Stainless Steel

- All exterior components are manufactured from 304 stainless steel to provide an exterior shell protecting all interior components.
- Output shaft, supported by sealed ball bearings, is made from 304 stainless steel.
- Laser marked permanent nameplate meets extreme washdown rating.

Bison Geartrain

- Gear centers are precision machined on automated CNC mills.
- All rotating components supported with sealed ball bearings from the motor to the output shaft.
- Gear pinions are the strongest in the industry, capable of 200% shock loading. Pinions are carburized creating a hard outer surface for wear resistance and a durable inner base to handle high torque loads.
- Geartrain lubricated with NSF H1 registered, DIN 51825 certified, high performance grease for food processing applications.

Removable IP69K ABS Cordset

- Removable cordset has a stainless steel modular, multi-pin, power connector.

Additional Information

Current drawings and stock status available at www.bisongear.com

ISIS - Products available off-shelf

SNS - Min. order quantity and lead time

Wiring diagram pages 88-91

