

S63

Stainless Steel Integral HP Worm Speed Reducer

0.25 - 2HP, 1000 - 1230 in-lbs, 18.6 - 250RPM

- Stainless steel housing for food processing, medical and pharmaceutical applications
- Interchangeability with most global manufacturers



TECHNICAL DATA

S63								
Output Speed (RPM)	Ratio	Motor Power (HP)	Output Torque (in-lbs)	Service Factor	OHL	Nom. Torque (in-lbs)	Reducer Part Number*	Gearmotor Part Number*
250	7	2	419	2.5	385	1053	RS63-0007-HSB2S- <u>X</u>	GS63-0007-HSB2S- <u>X</u> AG3B
		1	209	5				GS63-0007-HSB2S- <u>X</u> AE3B
175	10	2	583	1.9	404	1133	RS63-0010-HSB2S- <u>X</u>	GS63-0010-HSB2S- <u>X</u> AG3B
		1	292	3.9				GS63-0010-HSB2S- <u>X</u> AE3B
116.7	15	2	854	1.4	450	1159	RS63-0015-HSB2S- <u>X</u>	GS63-0015-HSB2S- <u>X</u> AG3B
		1	427	2.7				GS63-0015-HSB2S- <u>X</u> AE3B
92.1	19	2	1068	1.1	517	1159	RS63-0019-HSB2S- <u>X</u>	GS63-0019-HSB2S- <u>X</u> AG3B
		1	534	2.2				GS63-0019-HSB2S- <u>X</u> AE3B
72.9	24	1.5	972	1.2	562	1195	RS63-0024-HSB2S- <u>X</u>	GS63-0024-HSB2S- <u>X</u> AE3B
		1	648	1.8				GS63-0024-HSB2S- <u>X</u> AE3B
58.3	30	1.5	1199	1	562	1230	RS63-0030-HSB2S- <u>X</u>	GS63-0030-HSB2S- <u>X</u> AE3B
		1	800	1.5				GS63-0030-HSB2S- <u>X</u> AE3B
48.6	36	1	882	1.4	674	1239	RS63-0036-HSB2S- <u>X</u>	GS63-0036-HSB2S- <u>X</u> AE3B
		0.5	441	2.8				GS63-0036-HSB2S- <u>W</u> AC3B
38.9	45	1	1070	1.1	674	1142	RS63-0045-HSB2S- <u>X</u>	GS63-0045-HSB2S- <u>X</u> AE3B
		0.5	535	2.1				GS63-0045-HSB2S- <u>W</u> AC3B
26.1	67	0.5	724	1.4	674	1044	RS63-0067-HSB2S- <u>W</u>	GS63-0067-HSB2S- <u>W</u> AC3B
		0.25	362	2.9				GS63-0067-HSB2S- <u>W</u> AA3B
21.9	80	0.5	821	1.2	854	1000	RS63-0080-HSB2S- <u>W</u>	GS63-0080-HSB2S- <u>W</u> AC3B
		0.25	411	2.4				GS63-0080-HSB2S- <u>W</u> AA3B
18.6	94	0.5	880	1.1	854	1000	RS63-0094-HSB2S- <u>W</u>	GS63-0094-HSB2S- <u>W</u> AC3B
		0.25	440	2.3				GS63-0094-HSB2S- <u>W</u> AA3B

Notes: All units shown are standard configuration. Input motor, output shaft and mounting options are available.

Motor Specification:
230/460 VAC 60/50Hz,
3PH 1800 RPM
Nom. - inverter duty

*NEMA Input Sizes:

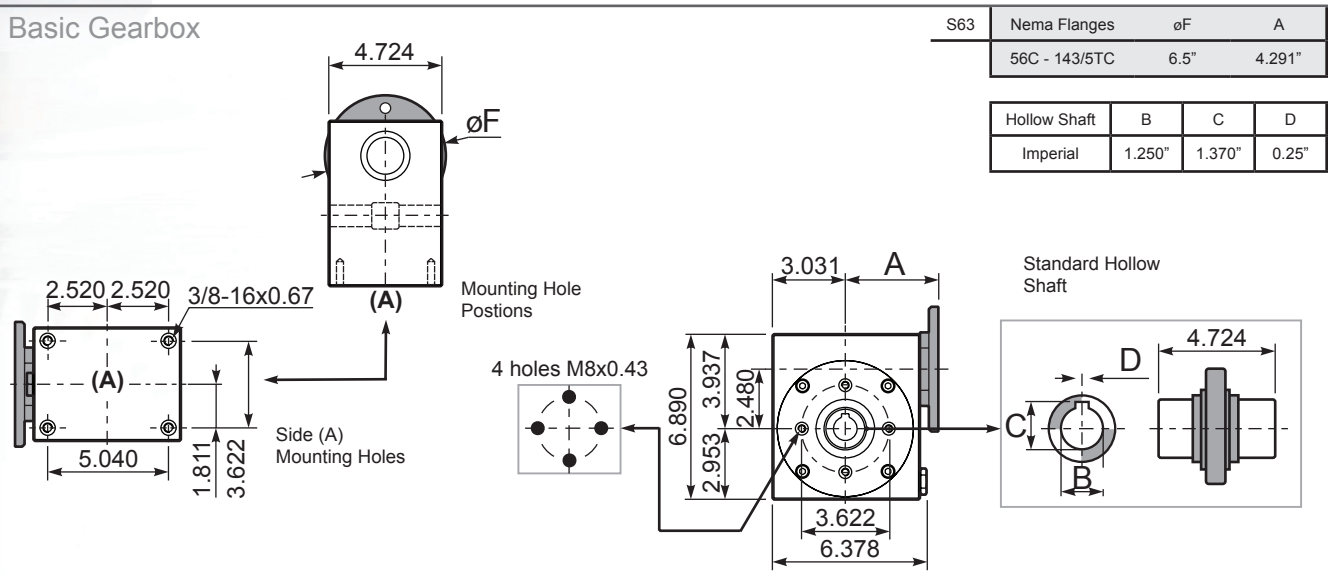
W = 56C
X = 143/5TC
Y = 182/4TC

Motors 1HP and greater meet EISA efficiency requirements.



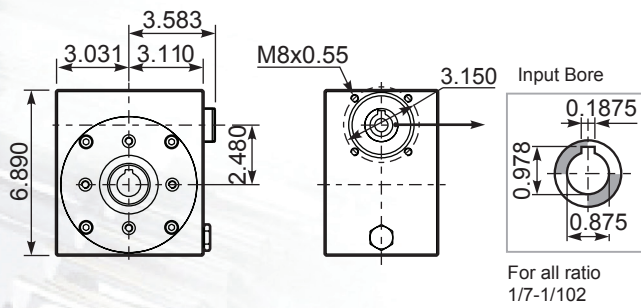
DRAWINGS

Basic Gearbox



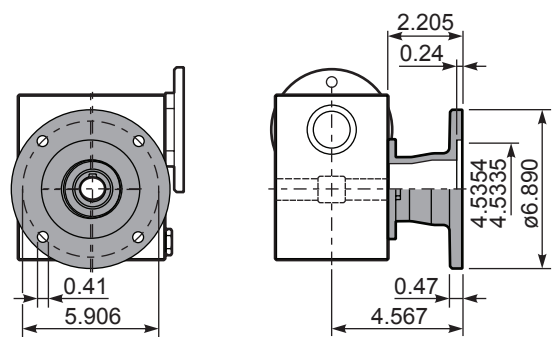
Modular Base

SB



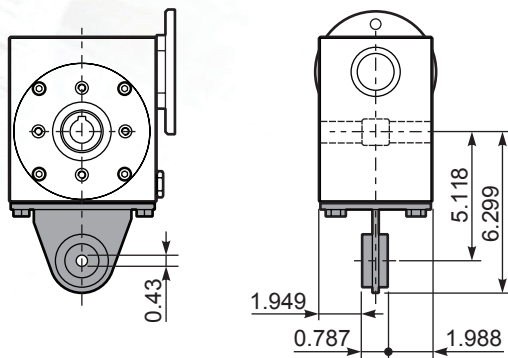
Output Flange

F2



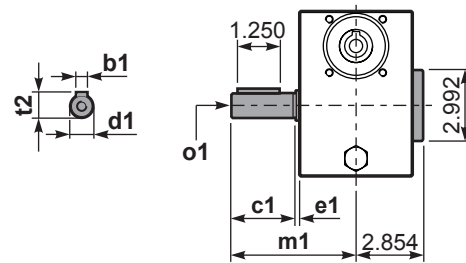
Torque Arm

TA



Output Shaft Insert

R/L



	b1	c1	d1	e1	m1	t2	o1
Standard	0.25	2.240	1.250	0.197	4.799	1.370	5/16-18