

480 Series Parallel Shaft AC

UP TO 1105 IN-LBS CONTINUOUS

The 480 Series heavy duty gearmotors produce close to 1,200 in-lbs. of output torque, unusual in a very compact fractional horsepower, parallel shaft gearmotor.



Specifications

Gearhead		Motor		Additional Information	
Gearing:	AGMA class 9 heat treated steel 1st-stage helical, balance spur	Motor Type:	Split phase & three phase	Current drawings and stock status available at www.bisongear.com	
Housing:	Precision machined die cast aluminum	Rotation:	Reversible	ISIS - Products available off-shelf	
Lubrication:	Lifetime oil bath, sealed and gasketed	Bearings:	Ball	SNS - Min. order quantity and lead time	
Bearings:	Needle and ball on output shaft	Insulation:	Class B minimum	Wiring diagram pages 88-91	
Shafts:	Hardened steel	Finish:	Gloss black powder coat		
Mounting:	Foot, any angle	Enclosure:	TEFC		

AC PARALLEL SHAFT GEARMOTORS

482 Series Split Phase 115V

* Maximum overhung load on center of output shaft. **Gear limited

Part Number	Speed (RPM)	Torque (in-lbs)	Input HP	Gear Ratio	Stages	OHL*	Amps	Hz	Shipping Wt.
014-482-4316	5.4	1087**	1/4	315.6	3	797	3.97	60	28
014-482-4211	8.0	974**	1/4	210.0	3	797	3.97	60	28
014-482-4143	12	992	1/4	142.9	3	797	3.97	60	28
014-482-4095	18	800	1/4	95.1	3	797	3.97	60	28
014-482-4064	27	500	1/4	63.5	3	600	3.97	60	28
014-482-4029	60	240	1/4	28.6	2	636	3.97	60	28
014-482-4012	135	100	1/4	12.7	2	491	3.97	60	28
014-482-3095	18	1025**	1/3	95.1	3	797	5.50	60	28
014-482-3042	41	513	1/3	42.1	2	716	5.50	60	28
014-482-3019	91	211	1/3	19.0	2	571	5.50	60	28
014-482-3011	157	125	1/3	11.0	2	491	5.50	60	28
014-482-3006	282	70	1/3	6.0	2	409	5.50	60	28
014-482-2080	22	1105**	1/2	78.9	3	682	7.81	60	30
014-482-2042	41	720	1/2	42.1	2	716	7.81	60	30
014-482-2029	60	482	1/2	28.6	2	636	7.81	60	30
014-482-2019	91	320	1/2	19.0	2	571	7.81	60	30
014-482-2012	135	215	1/2	12.7	2	491	7.81	60	30

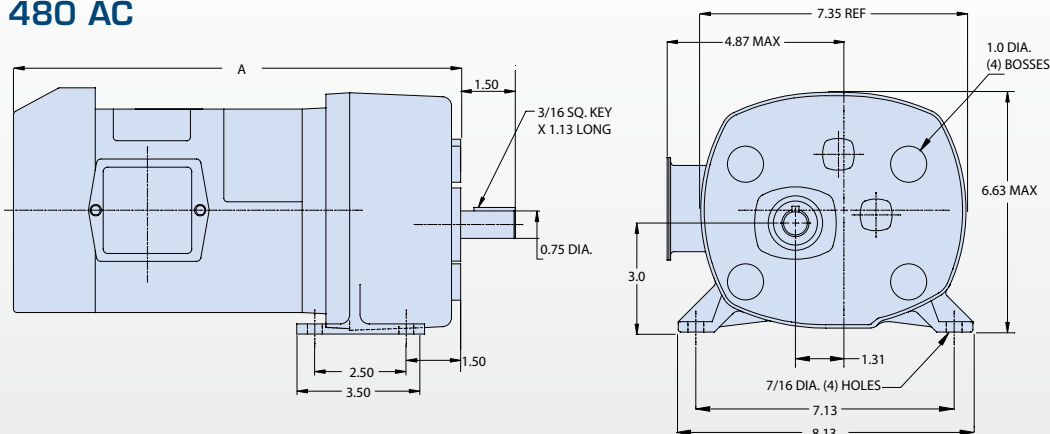
482 Series 3-Phase 230V/460V

Part Number	Speed (RPM)	Torque (in-lbs)	Input HP	Gear Ratio	Stages	OHL*	Amps	Hz	Shipping Wt.
017-482-0143	12	992**	1/2	142.9	3	797	1.63/.81	60	40
017-482-0095	22	1017**	1/2	78.9	3	797	1.63/.81	60	40
017-482-0053	33	846	1/2	52.6	2	682	1.63/.81	60	40
017-482-0042	40	708	1/2	42.8	2	716	1.63/.81	60	40
017-482-0029	60	481	1/2	28.6	2	636	1.63/.81	60	40
017-482-0019	91	319	1/2	19.0	2	571	1.63/.81	60	40
017-482-0013	136	213	1/2	12.7	2	491	1.63/.81	60	40
017-482-0006	283	103	1/2	6.1	2	409	1.63/.81	60	40

485 Series 3-Phase Inverter Duty 230V

For more specifications see page 62

480 AC



HP	A
1/2	12.76
1/4, 1/3	12.33