



750 Series Right Angle DC

UP TO 120 IN-LBS CONTINUOUS

The 750 Series line of hollow shaft gearmotors allows hundreds of mounting configurations enabling engineers to optimize their assemblies. Industry standard mounts are available for drop-in requirements, and a hollow shaft style is available to use with optional accessories to meet your specifications.

Specifications

Gearhead		Motor	Optional Features
Gearing:	Hardened steel worm, cast bronze gear	Motor Type: Permanent magnet	Junction box kit - Part numbers: P198-100-9121, 1/8 HP P198-300-0000, 1/4 HP Standard footplate P125-750-1000
Housing:	Precision machined die cast aluminum	Speed: Variable with appropriate control (1.37 form factor max)	
Lubrication:	Lifetime oil bath, sealed and o-ringed	Rotation: Reversible	
Bearings:	Ball	Bearings: Ball	Other Options <ul style="list-style-type: none"> • Accessory shaft • Shaft-mount encoder • Various output shafts • Flange mount available
Shafts:	Hardened steel	Insulation: Class F	
Mounting:	Face or base, any angle	Enclosure: TENV	
		Finish: Gloss black powder coat	

Additional Information

Current drawings and stock status available at www.bisongear.com

ISIS - Products available off-shelf

SNS - Min. order quantity and lead time

Wiring diagram pages 88-91

See pages 56-57 or 86-87 for additional accessories

756 Series PMDC 90V

Part Number	Speed 90V RPM	Torque (in-lbs)	Input HP	Gear Ratio	OHL*	Amps	Shipping Wt.	Brush
Hollow / No Footplate								
021-756-8460	30	94	1/8	60.0	300	1.28	13	D
021-756-8445	40	82	1/8	45.0	300	1.28	13	D
021-756-8430	60	60	1/8	30.0	300	1.28	13	D
021-756-8420	90	49	1/8	20.5	300	1.28	13	D
021-756-8413	135	35	1/8	13.0	300	1.28	13	D
021-756-8410	180	27	1/8	10.3	300	1.28	13	D
021-756-8405	360	14	1/8	5.2	270	1.28	13	D
021-756-4430	60	120**	1/4	30.0	300	2.33	18	D
021-756-4420	90	100	1/4	20.5	300	2.33	18	D
021-756-4413	135	70	1/4	13.0	300	2.33	18	D
021-756-4410	180	55	1/4	10.3	300	2.33	18	D
021-756-4405	360	30	1/4	5.2	270	2.33	18	D
Standard Shaft / With Footplate								
021-756-8560	30	94	1/8	60.0	300	1.28	14.5	D
021-756-8545	40	82	1/8	45.0	300	1.28	14.5	D
021-756-8530	60	60	1/8	30.0	300	1.28	14.5	D
021-756-8520	90	49	1/8	20.5	300	1.28	14.5	D
021-756-8513	135	35	1/8	13.0	300	1.28	14.5	D
021-756-8510	180	27	1/8	10.3	300	1.28	14.5	D
021-756-8505	360	14	1/8	5.2	270	1.28	14.5	D
021-756-4530	60	120**	1/4	30.0	300	2.33	19.75	D
021-756-4520	90	100	1/4	20.5	300	2.33	19.75	D
021-756-4513	135	70	1/4	13.0	300	2.33	19.75	D
021-756-4510	180	55	1/4	10.3	300	2.33	19.75	D
021-756-4505	360	30	1/4	5.2	270	2.33	19.75	D

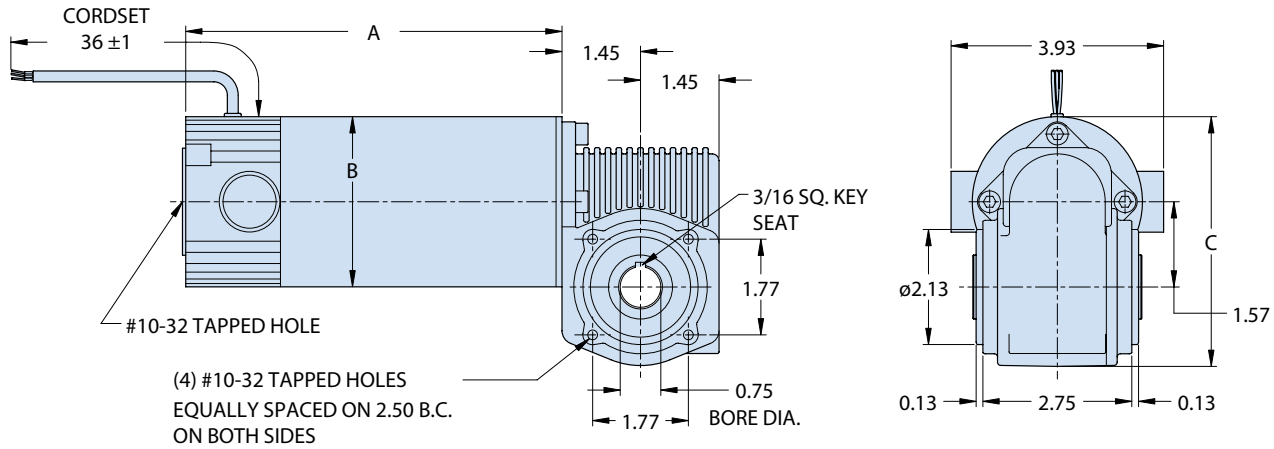
756 Series DC 12V

Hollow Shaft & Pilot Mount	Speed (RPM)	Torque (in-lbs)	Input HP	Gear Ratio	OHL*	Amps	Shipping Wt.	Brush
021-756-3405	360	14	1/8	5.2	270	10.2	11.5	A
021-756-3410	180	27	1/8	10.3	300	10.2	11.5	A
021-756-3413	135	35	1/8	13.3	300	10.2	11.5	A
021-756-3420	90	49	1/8	20.5	300	10.2	11.5	A
021-756-3430	60	60	1/8	30.0	300	10.2	11.5	A
021-756-3445	40	82	1/8	45.0	300	10.2	11.5	A
021-756-3460	30	94	1/8	60.0	300	10.2	11.5	A

* Maximum overhung load located 2.5" from centerline of gearbox. ** Output torque is gear limited.

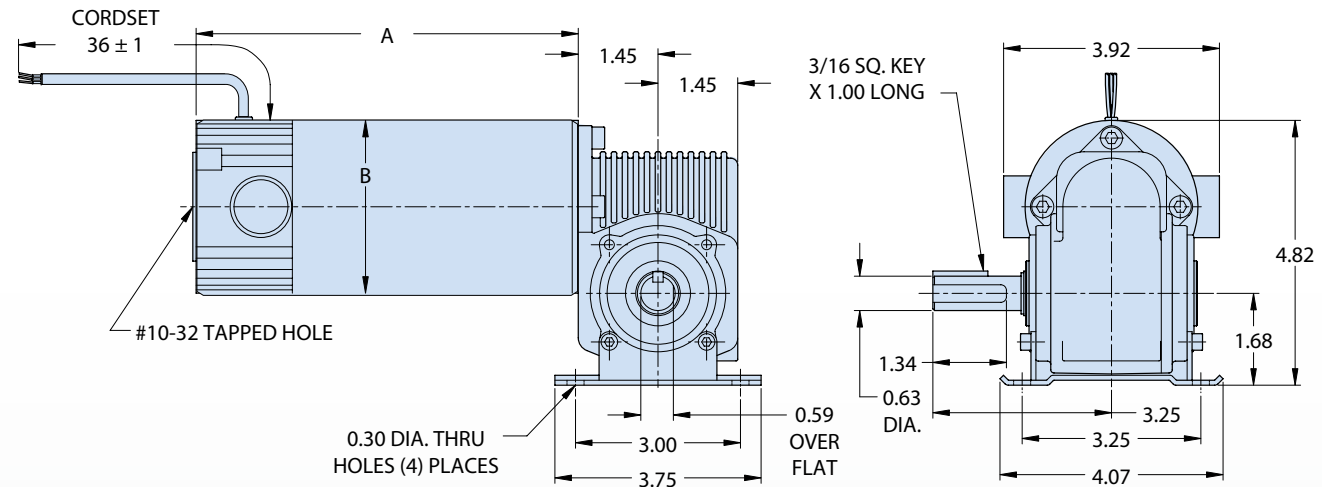
750 Series Right Angle DC

756 DC Hollow



HP	A	B	C
1/8	6.95	3.14	4.61
1/4	8.83	3.38	4.73

756 DC Standard Shaft



HP	A	B	C
1/8	6.95	3.14	4.82
1/4	8.83	3.38	4.94

756 Series DC 24V

With Mounting Bracket & Output Shaft	Hollow Shaft & Pilot Mount	Speed (RPM)	Torque (in-lbs)	Input HP	Gear Ratio	OHL*	Amps	Shipping Wt.	Brush
021-756-5505	021-756-5405	360	14	1/8	5.2	270	5.18	14.5	A
021-756-5510	021-756-5410	180	27	1/8	10.3	300	5.18	14.5	A
021-756-5513	021-756-5413	135	35	1/8	13.3	300	5.18	14.5	A
021-756-5520	021-756-5420	90	49	1/8	20.5	300	5.18	14.5	A
021-756-5530	021-756-5430	60	60	1/8	30.0	300	5.18	14.5	A
021-756-5545	021-756-5445	40	82	1/8	45.0	300	5.18	14.5	A
021-756-5560	021-756-5460	30	94	1/8	60.0	300	5.18	14.5	A

* Maximum overhung load located 2.5" from centerline of gearbox.

RIGHT ANGLE GEARMOTORS