



# WDIR14 AC

115/230V PSC TENV AC DESIGN

Our WDIR14 offers up to 50 in-lbs of torque.

AC PARALLEL  
SHAFT  
GEARMOTORS

## Specifications

Gearhead		Motor	Additional Information
Gearing:	Plastic high speed and steel	Motor Type: Permanent split capacitor	Current drawings and stock status available at <a href="http://www.bisongear.com">www.bisongear.com</a>
Housing:	Precision machined die cast zinc	Rotation: Reversible	
Lubrication:	Grease	Bearings: Ball	ISIS - Products available off-shelf
Bearings:	Porous bronze sleeve	Insulation: Class B minimum	SNS - Min. order quantity and lead time
Shafts:	Hardened steel	Enclosure: TENV	
Mounting:	All positions		
Finish:	Unpainted		
		Features	
		Units comply with applicable UL & CSA standards	
		Capacitor and junction box included	

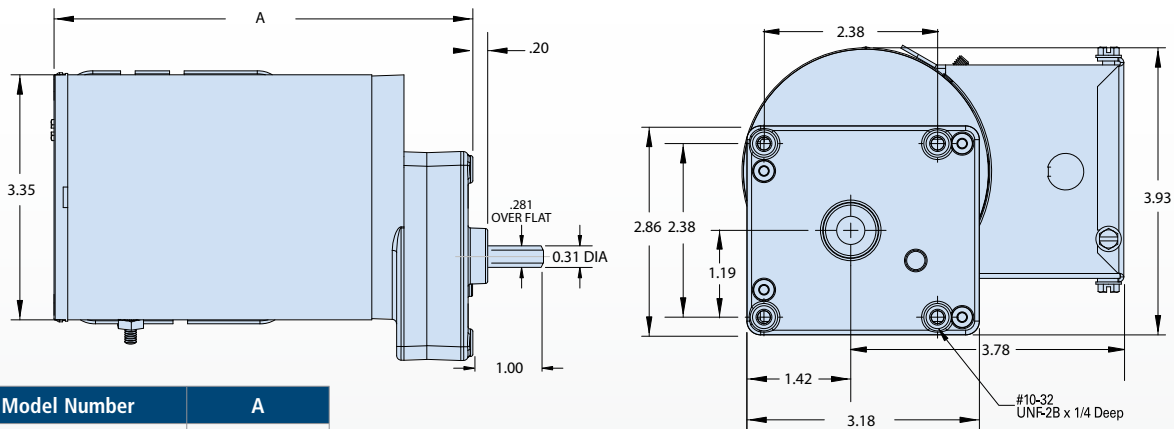
## WDIR14 PSC 115V/230V

Model #	Speed (RPM)*	Torque (in-lbs)	Input HP	Gear Ratio	Stages	OHL	Amps	Hz	Shipping Wt.
016Q507-0018	181	12	1/20	10	2	50	.62/.38	60/50	8
016Q507-0031	96	20	1/20	18	2	50	.62/.38	60/50	8
016Q507-0050	68	30	1/20	26	2	50	.62/.38	60/50	8
016Q507-0098	36	50**	1/20	47	3	50	.62/.38	60/50	8
016Q507-0482	7	50**	1/20	239	4	50	.62/.38	60/50	8
016Q507-0975	4	50**	1/20	491	4	50	.62/.38	60/50	8

\* All ratings are shown at 60Hz operation. Also operable at 50Hz at 5/6 of the rated speed.

\*\* Gear Limited (check website for updated information.)

## WDIR14 AC



Model Number	A
016Q507-0018	5.75
016Q507-0031	5.75
016Q507-0050	5.75
016Q507-0098	5.75
016Q507-0482	6.25
016Q507-0975	6.25